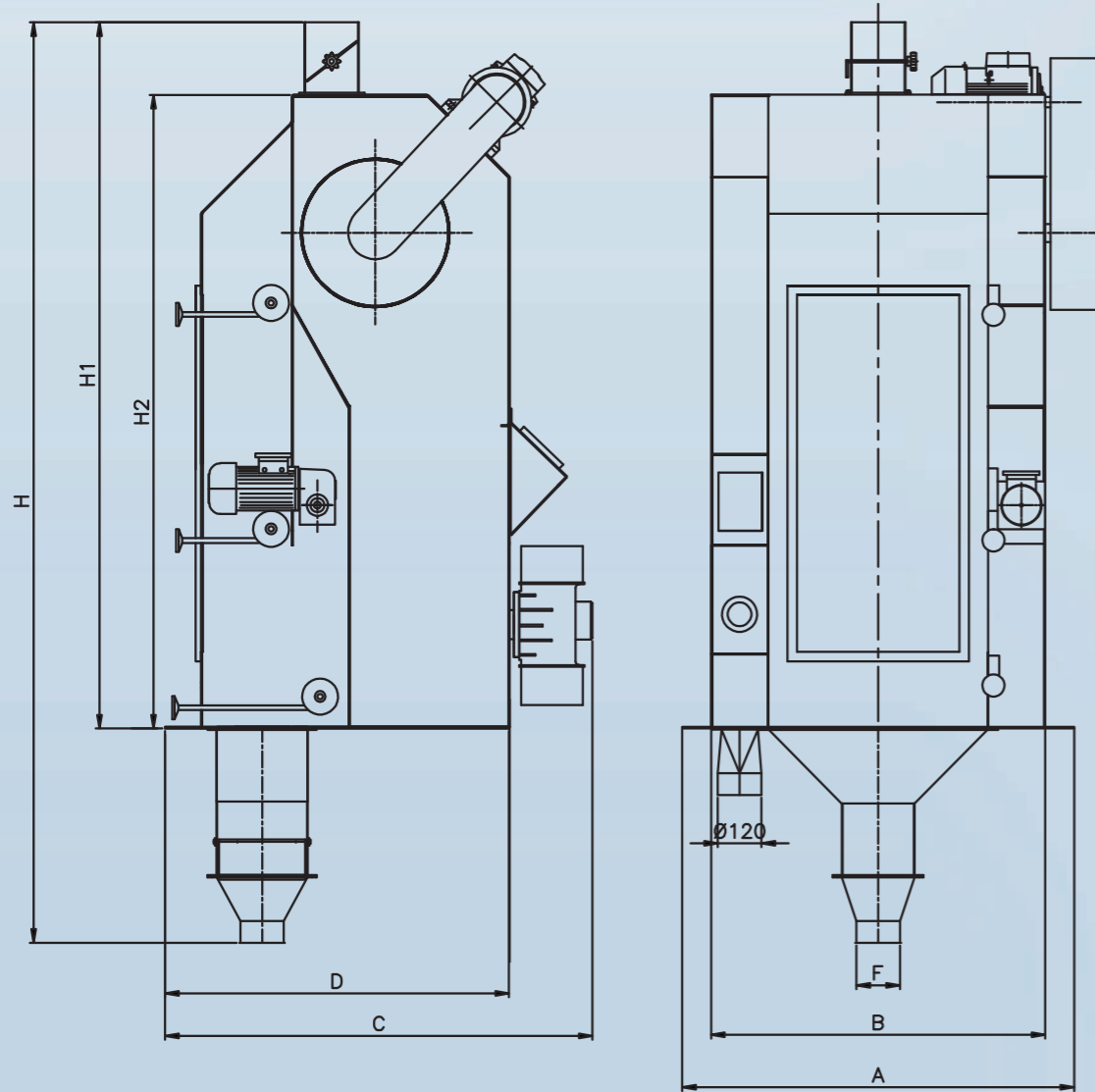


Closed Circuit Aspirator KPT



Type	Capacity cleaning [t/h]	Net weight [kg]	Power - gearmotor [kW] 74 rpm	Power - fan [kW] 3000 rpm	Power - vibrator [kW]
KPT 40R/600	10	495	0,37	3	0,17
KPT 50R/1000	18	650		3	
KPT 100R/1500	28	711		4	



Type	Dimension [mm]							
	A	B	C	D	H	H1	H2	øF
KPT 40R/600	1080	920	1177	947	2535	1945	1745	120
KPT 50R/1000	1480	1320			2829			120
KPT 100R/1500	1980	1820			3043			150

Manufacturer reserves the right for modifications of parameters and device appearance in the course of its improvement.

CLEANING MACHINES



Application

The scouring machine is a modern cleaning machine for grain. It is applied in the lines of wheat preparation for milling. Its purpose is to clean the surface of the grain from dust, sand, hulls, to separate the organic impurities and to reduce the bacterial micro-flora. In connection with the pneumatic channel or closed circuit aspirator, the scouring machine can also separate impurities lighter than grain.

Construction

- Main parts of the scouring machine are:
- body being the supporting construction,
 - door,
 - rotor complete consisting of shaft and attached beaters,
 - sieve screen consisting of two parts connected with screws,
 - driving assembly consisting of motor, belt transmission and drive cover,
 - product inlet connection,
 - produkt outlet connection,
 - impurities outlet.

Operation

Grain for cleaning flows into the machine by inlet connection. The cleaning process occurs in the working zone that is between the rotor and the sieve screen.

- The cleaning is achieved by:
- grain to grain friction,
 - grain to beaters friction,
 - grain to sieve screen friction.

As the result of the above smaller parts of the impurities go through the sieve screen and then out through outlet, whereas bigger parts (hulls) are separated in the pneumatic channel or closed circuit aspirator (cooperating with the scouring machine), into which they flow together with grain through outlet.

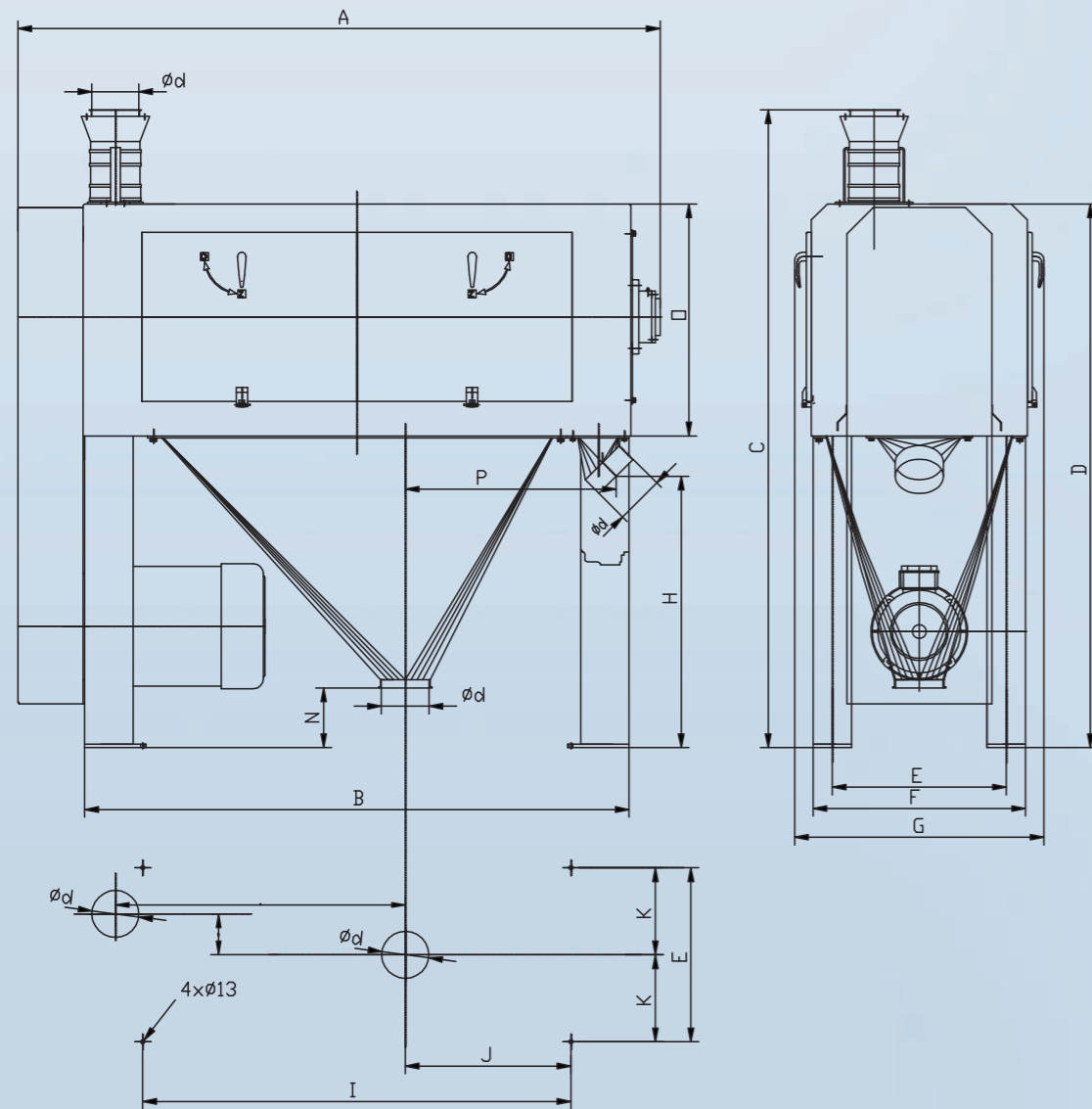


Scouring Machine MSZ with Pneumatic Channel KPO or Closed Circuit Aspirator KPT

Scouring Machine MSZ

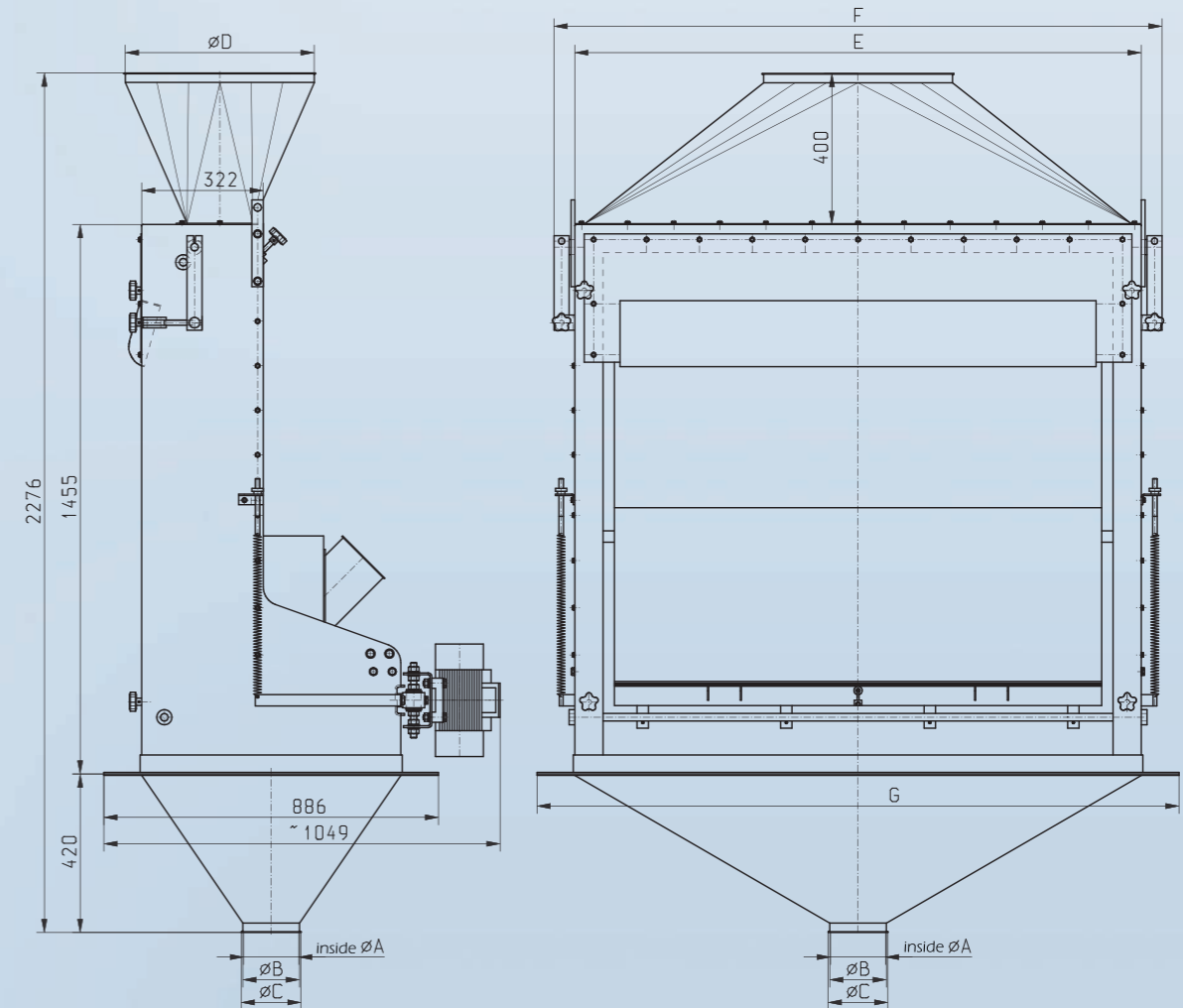


Type	Capacity [t/h]	Power [kW]	Weight [kg]
MSZ-10	10	11,0	890
MSZ-15	15	18,5	997
MSZ-20	20	22,0	997



Dimension	A	B	C	D	E	F	G	H	I	J	K	L	M	N	O	P	d
Type	[mm]																
MSZ -10			1829	1537	460	560	674			664	230	102	750		570	804	120
MSZ -15	1994	1690						842	1329					185			
MSZ -20			1979	1687	540	660	774			514	270	127	900		720	654	150

Pneumatic Channel KPO



Dimension	ØA	ØB	ØC	ØD	E	F	G	Power - vibrator [kW]	Weight [kg]
Type	[mm]								
KPO-75W	114	120	128	315	750	860	950	0,17	195
KPO-100W	114	120	128	400	1000	1110	1200		297
	194	200	208						323
KPO-150W	144	150	158					1500	1610
	244	250	258						