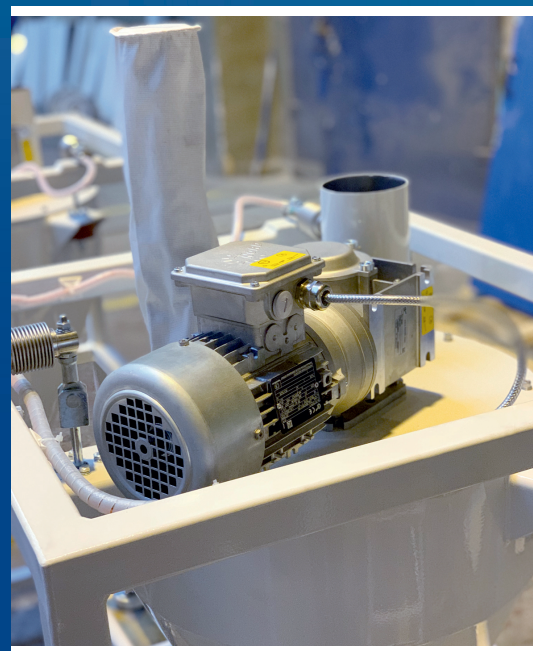




Micro Doser – Screw Feeder is designed for precise proportioning of micro-ingredients to flour by using the weighing method. The hopper is equipped with an agitator that prevents the suspension and accumulation of additives. The device is used for proportioning of micro-ingredients such as vitamins, ascorbic acid, dry gluten, etc.

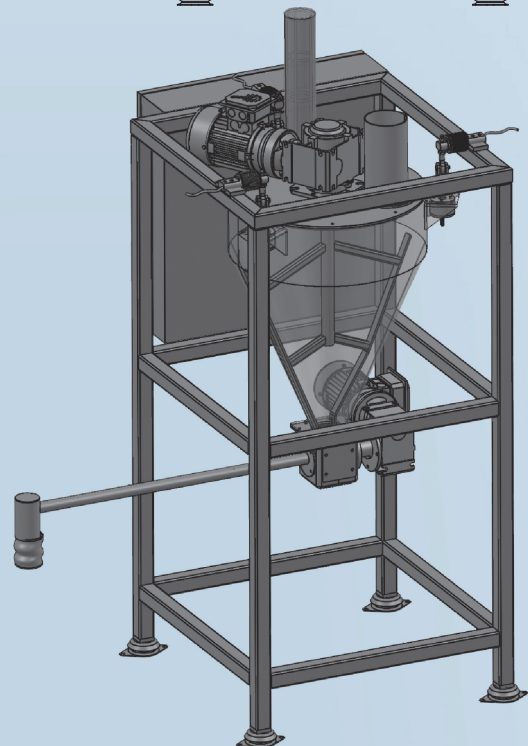
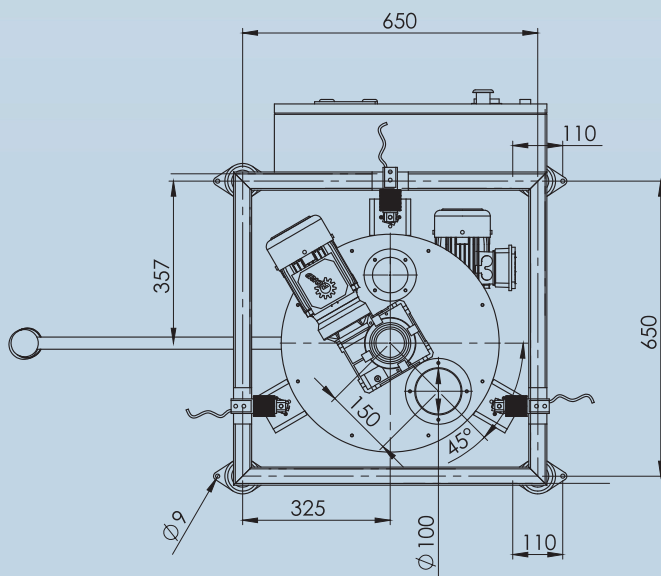
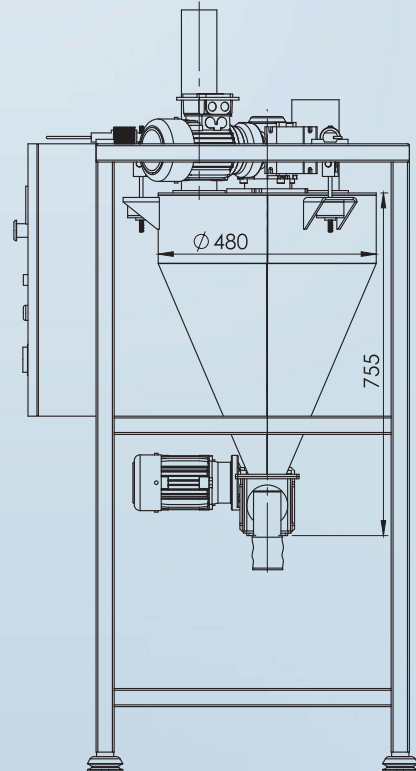
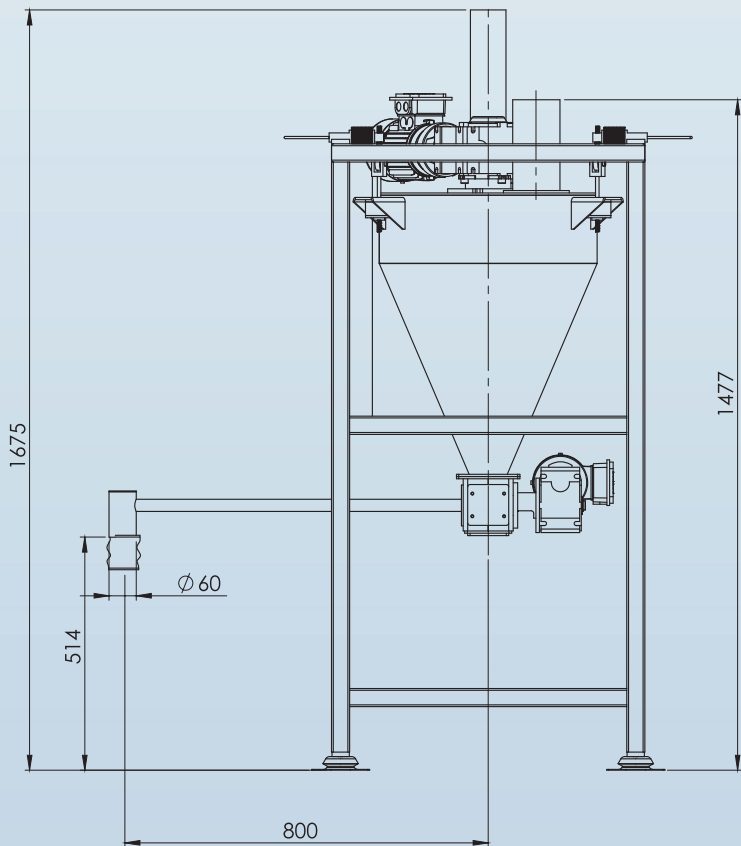
#### Technical data:

- Volume: 50 dm<sup>3</sup>
- Power consumption: max 0,6 kW
- Weight of micro-dosing unit: ca. 120 kg
- Communication protocol: Modbus TCP/IP and OPC
- Touch control panel display
- Made of stainless steel
- Equipped with an agitator



Model	Capacity [kg/h]
MDD-50-3	0,3-3
MDD-50-6	0,6-6





Manufacturer reserves the right for modifications of parameters and device appearance in the course of its improvement.