

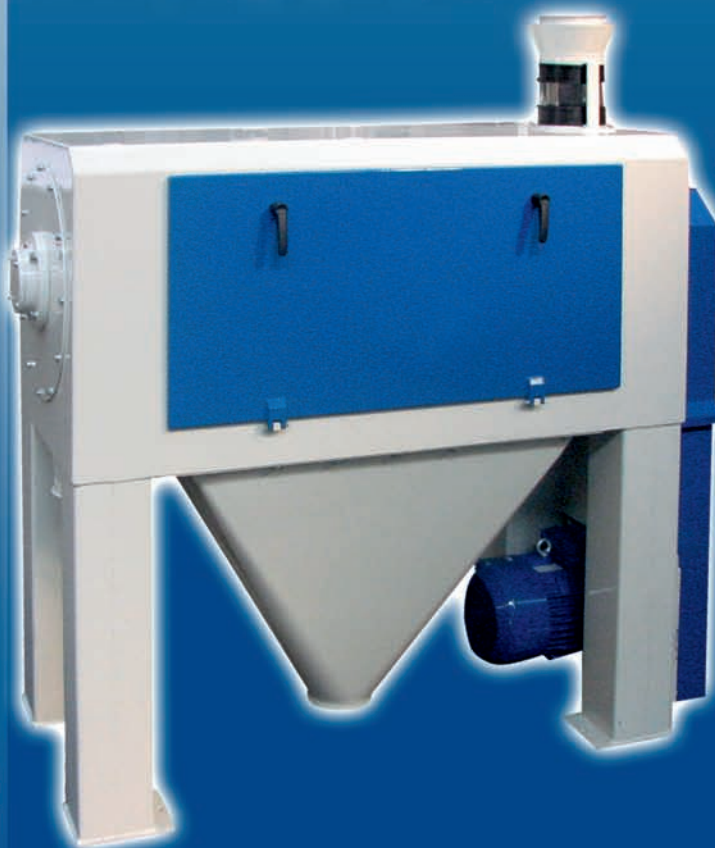


Application

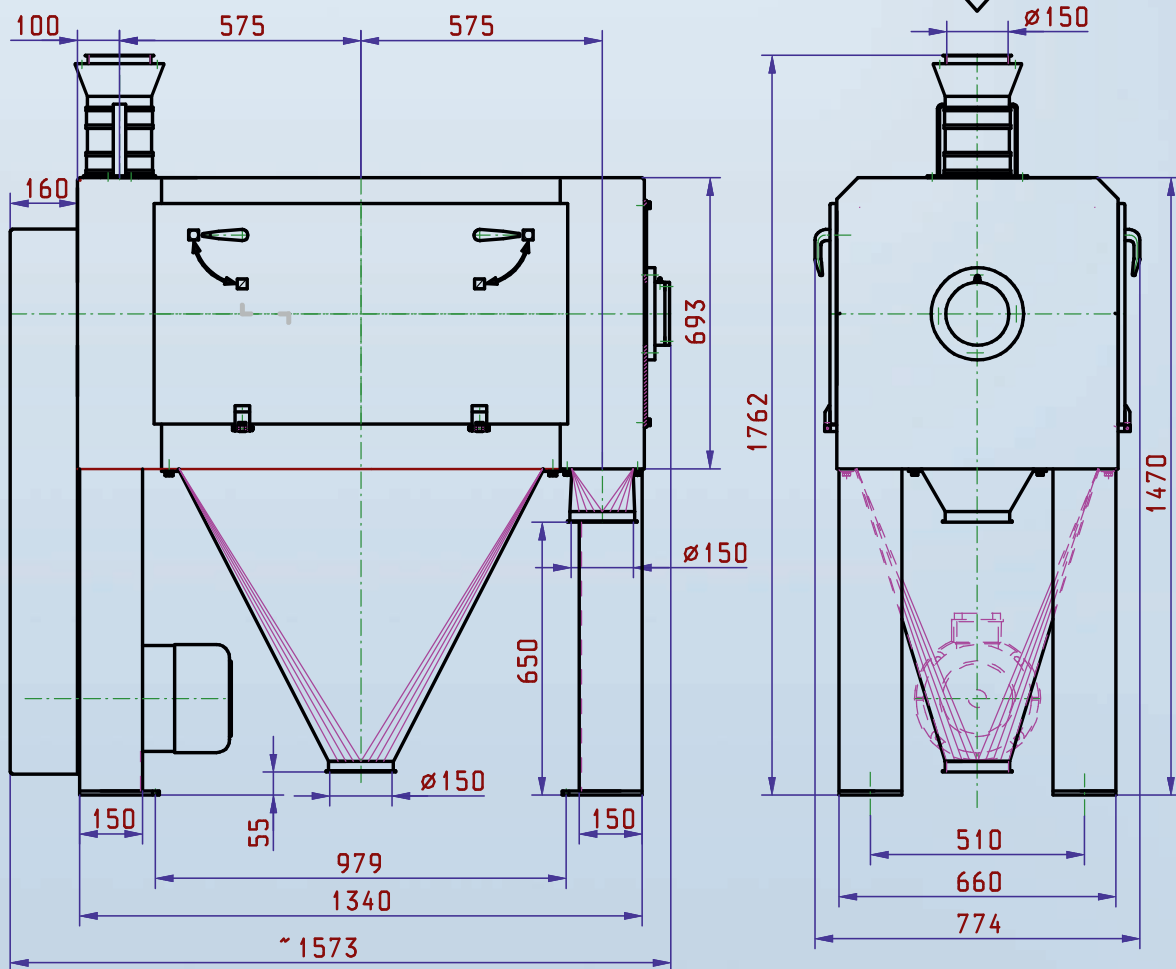
Bran finisher RZO detaches adhering endosperm particles from the bran. In result increases the flour extraction rate in the mill. The machine find application in flour and semolina mills.

Operation

The product is thrown towards the screen by means of a rotor which rotates horizontally. As a consequence, the flour and bran are separated from each other. Due to centrifugal force, the product is thrown towards the screen and during this process flour passes through the screen, bran are directed to the discharge outlet.



Bran Finisher RZO 1500



Type	Rotor		Rotor speed [obr/min]	Capacity [kg/h]	Power [kW]	Weight [kg]
	diameter [mm]	length [mm]				
RZO 1500	450	950	~1170	1500	5.5	~650



Manufacturer reserves the right for modifications of parameters and device appearance in the course of its improvement.